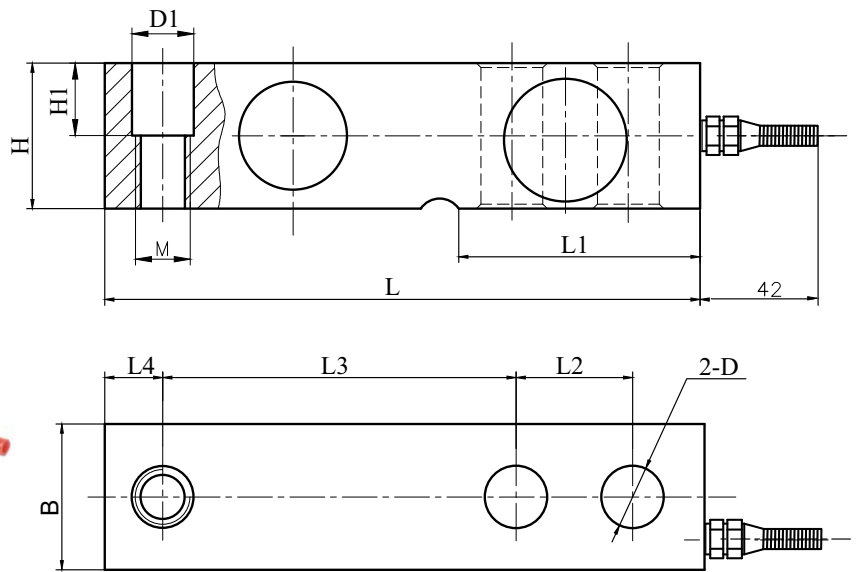


# HSQB01-D



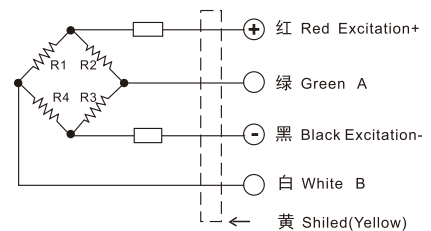
HSQB01 应用于电子台秤、地上衡、单轨秤、料斗秤。

HSQB01 Applied to Electronic platform scale, Ground weighter, single-trackscales, hopper weighing.

## 主要外形尺寸 Main Dimensions

额定载荷(t) Rated load	L	L1	L2	L3	L4	B	H	H1	D	D1	M
0.25~2.5	130	53.5	25.4	76.2	12.7	31.8	31.8	15.8	Φ13	Φ13.5	M12x1.75
3~5	171.5	72.5	38.1	95.3	19	38.1	38.1	18.8	Φ20	Φ20	M18x1.5
7.5~10	225.5	102	50.8	124	25.3	50.8	50.8	25.4	Φ27	Φ27	M24x2

## 接线方式 Circuit Diagram



## 主要技术指标 Specification

Rated load (E <sub>max</sub> )	t	0.25~2.5t, 3~5t, 7.5~10t
Rated output	d	1-30000d
TCO	%FS/10°C	≤ ±0.02
TC SPAN	%FS/10°C	≤ ±0.011
Combined error	%FS	≤ ±0.02
Safe load limit	120%	
Ultimate overload	150%	
Temperature compensation range	-10°C to 40°C	
Working temperature range	-35°C to 70°C	
Excitation	6~15VDC	
Communication interface	Rs485 two wire	
Protection class	IP68	
Material	Alloy steel (stainless steel optional)	
Cable length	3.5m/6m/10m	
Accuracy class	C3/C4	