

# Type L6D-R1 Load Cell



## Short description



- Aluminium-alloy IP65 single point load cell
- Colourless anodized
- Suitable for pricing scales, bench scales, etc.
- Maximum platform size: 250 x 350 mm



Test certificate no. TC7808 Revision 1  
C of C no R60/2000-NL1-10.25  
Certificate no. 11-012

## Available models

Capacity	Accuracy	Full article description
2.5kg	C3D Excluded from OIML	L6D-C3D-2.5kg-0.40B-R1
3kg	C3/C4	L6D-C3/C4-3kg-0.40B-R1
5kg	C3/C4	L6D-C3/C4-5kg-0.40B-R1
6kg	C3/C4	L6D-C3/C4-6kg-0.40B-R1
8kg	C3/C4	L6D-C3/C4-8kg-0.40B-R1
10kg	C3/C4	L6D-C3/C4-10kg-0.40B-R1
15kg	C3/C4	L6D-C3/C4-15kg-0.40B-R1
20kg	C3/C4	L6D-C3/C4-20kg-0.40B-R1
30kg	C3/C4	L6D-C3/C4-30kg-0.40B-R1
35kg	C3/C4	L6D-C3/C4-35kg-0.40B-R1
40kg	C3/C4	L6D-C3/C4-40kg-0.40B-R1
50kg	C3/C4	L6D-C3/C4-50kg-0.40B-R1

Specifications and dimensions are subject to change without notice and do not constitute any liability whatsoever.

# Type L6D-R1 Load Cell

## Technical specifications L6D-R1

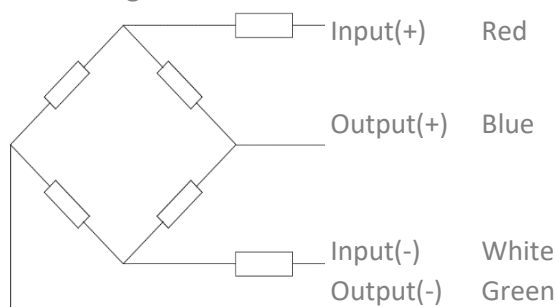
Accuracy class		C3D	OIML R60 C3	OIML R60 C4
Output sensitivity ( = FS )	mV/V	1.8 ± 0.2	2.0 ± 0.2	
Maximum capacity ( E <sub>max</sub> )	kg	2.5	3, 5, 6, 8, 10, 15, 20, 30, 35, 40, 50	
Max. number of load cell intervals	n <sub>LC</sub>	3000	3000	4000
Ratio of min. LC verification interval	$Y = E_{max} / V_{min}$	7000	10000	15000
Combined Error	%FS	≤± 0.0200	≤± 0.0200	≤± 0.01740
Minimum dead load	Of E <sub>max</sub>	0%		
Safe overload	of E <sub>max</sub>	150 %		
Ultimate overload	of E <sub>max</sub>	300 %		
Zero balance	of FS	< ± 2.0 %		
Excitation, recommended voltage	V	5 ~ 12		
Excitation maximum	V	18		
Input resistance	Ω	1065 ± 15		
Output resistance	Ω	1000 ± 10		
Insulation resistance	MΩ	≥5000 ( at 50VDC )		
Compensated temperature	°C	-10...+40		
Operating temperature	°C	-35...+65		
Storage temperature	°C	-40...+70		
Element material		Aluminium		
Ingress Protection (acc. to EN 60529)		IP65		
Recommended torque on fixation bolts	Nm	< 30kg: 6		>30kg: 10

## Wiring

### Features:

Shielded, 4 conductor cable  
Cable diameter: Ø3.8mm  
Standard cable length: 0.40m  
Shield not connected to element  
Cable jacket in PVC

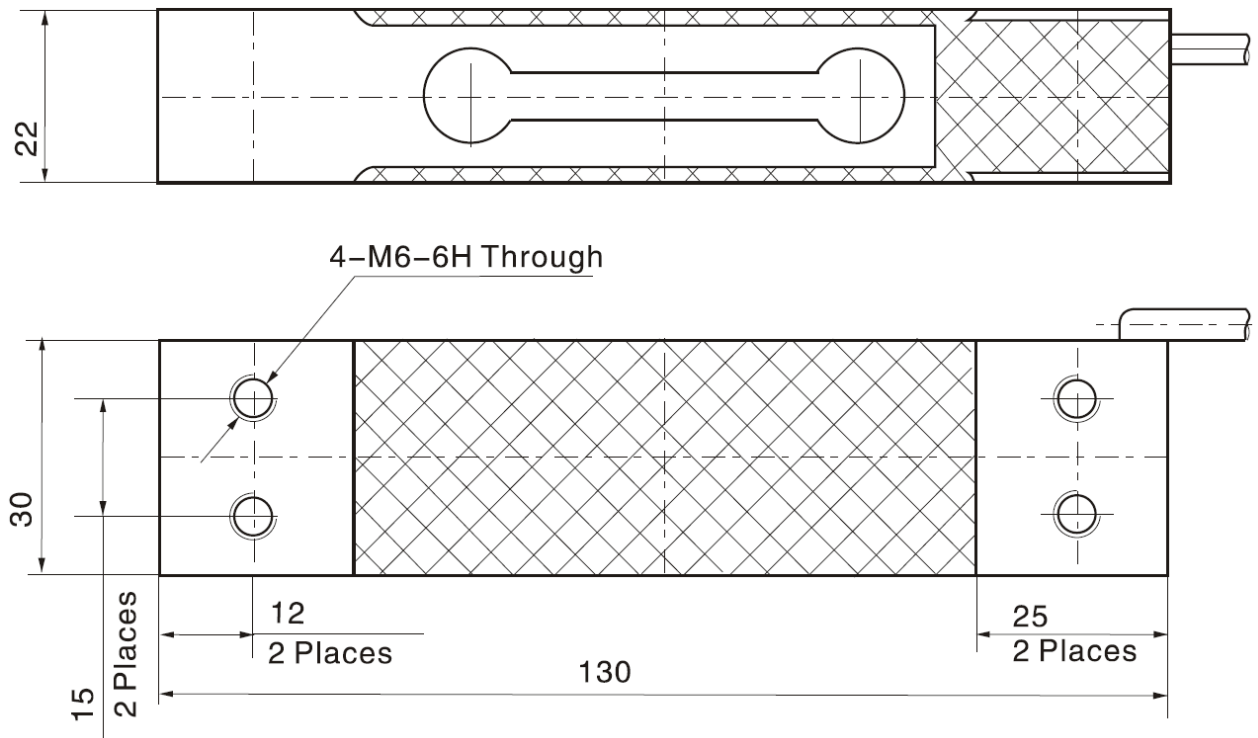
### 4-wire diagram



Specifications and dimensions are subject to change without notice and do not constitute any liability whatsoever.

# Type L6D-R1 Load Cell

Dimensions in mm



Note: Screws M6 class 8.8, screw rinsed with oil. Torque as in specifications table

Specifications and dimensions are subject to change without notice and do not constitute any liability whatsoever.